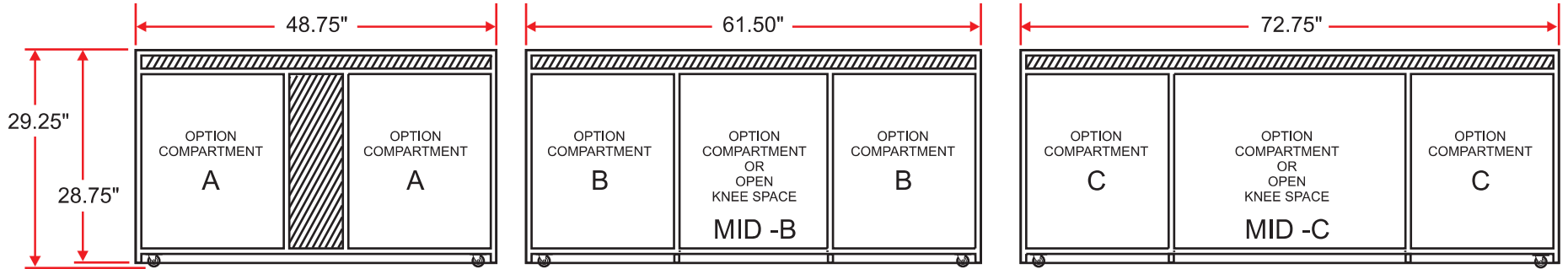
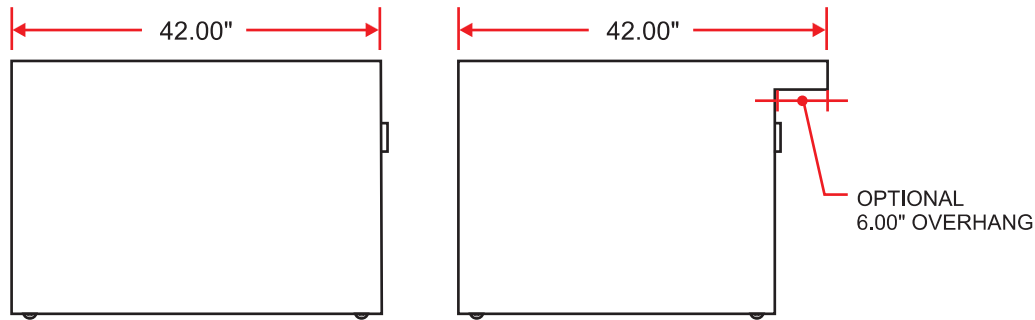


**FRONT VIEWS**



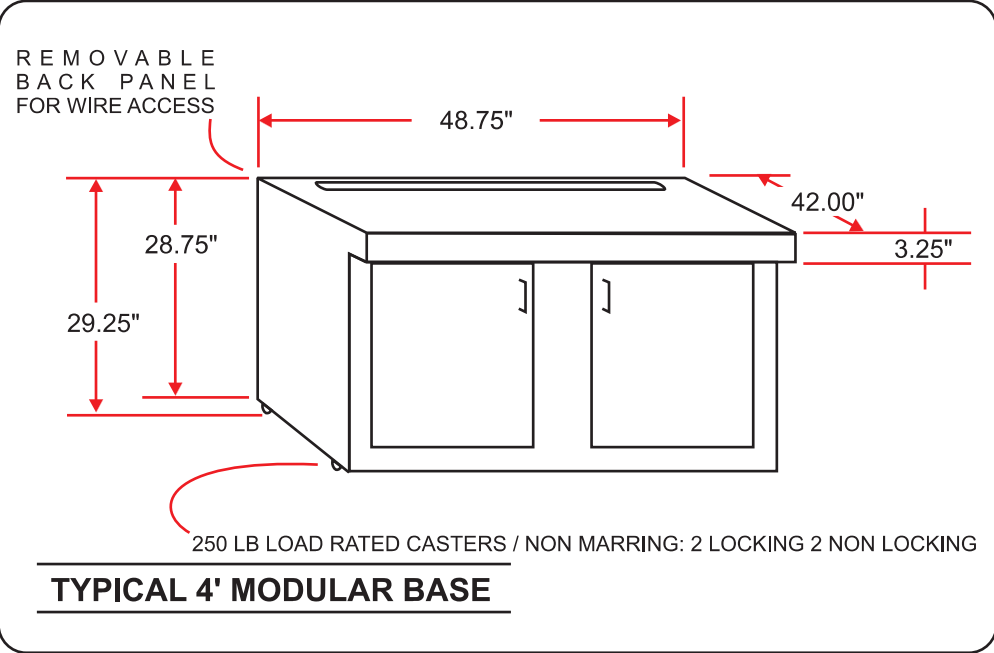
**SIDE VIEWS**



**ALL MODULAR BASES ARE COMPATIBLE WITH CORRESPONDING ROLLTOP ie. 4' - 5' - 6'**

COMPARTMENT OPTIONS	
1.	REMOVABLE HINGED DOOR W/RACK RAILS
2.	REMOVABLE HINGED DOOR W/ 2 SHELVES
3.	REMOVABLE HINGED DOOR W/ NO SHELVES
4.	THREE DRAWERS

OPTION COMPARTMENT DIMENSIONS	
A	19.25" WIDE
B	19.25" WIDE
MID-B	20.00" WIDE
C	19.25" WIDE
MID-C	31.25" WIDE



**TITLE: MODULAR BASES**

**SECURE  
CABINET  
COMPANY**

**17818 STATE ROUTE 161  
PLAIN CITY, OHIO 43064  
TEL: 614-873-0480  
WWW.SECURE-CABINET.COM**